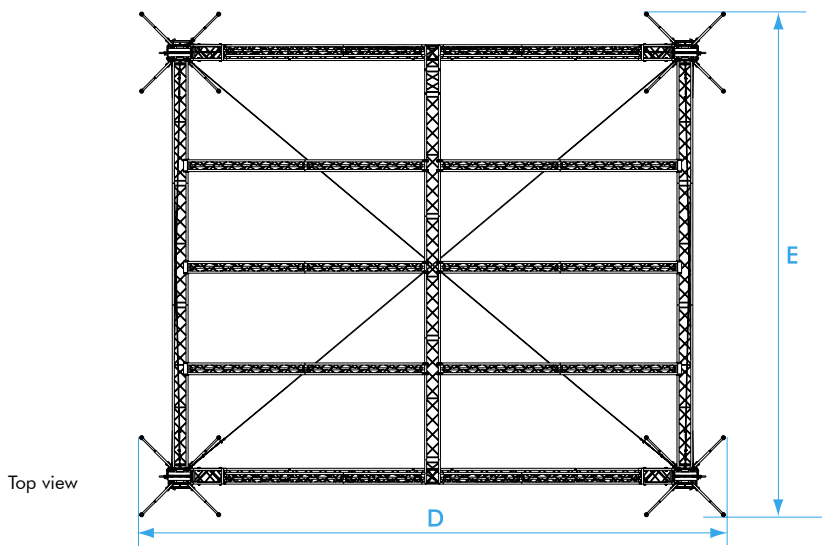
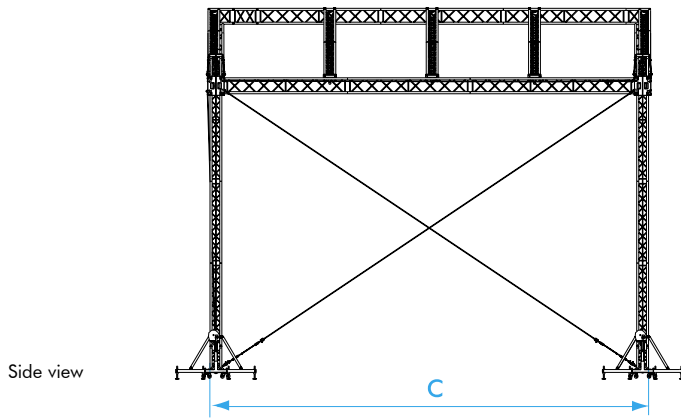
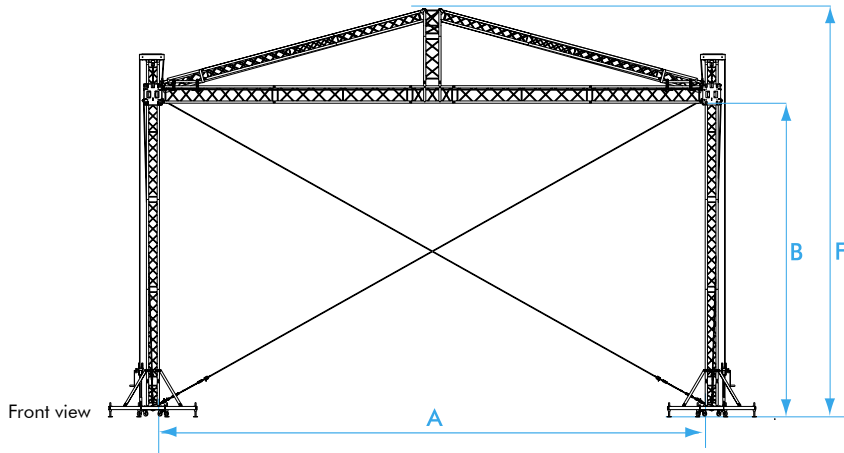


# MPT ROOF



MPT-ROOF SYSTEM		inside				overall							
stage measurements		A		B		C		D		E		F	
12 x 10 m	39'4" x 32'9"	12,15 m	39'9"	7,20 m	23'6"	10,80 m	35'4"	14,14 m	46'4"	12,80 m	42'0"	9,26 m	30'4"
10 x 8 m	32'9" x 26'3"	10,15 m	33'3"	7,20 m	23'6"	8,80 m	28'8"	12,44 m	40'8"	9,80 m	32'1"	9,26 m	30'4"
10 x 6 m	32'9" x 19'8"	10,15 m	33'3"	7,20 m	23'6"	6,80 m	22'3"	12,44 m	40'8"	7,80 m	25'6"	9,26 m	30'4"
8 x 6 m	26'3" x 19'8"	8,15 m	26'7"	5,20 m	17'1"	6,80 m	22'3"	9,44 m	31'0"	7,80 m	25'6"	7,26 m	23'8"